



Energy Storage Battery

PRODUCT DATASHEET

22.4V 65Ah 1.456kWH



Outdoor Portable

This product is a portable energy storage power supply, which is a new energy system made of automobile batteries. Portable energy storage power supply is extensive. Applied in environmental protection, communications, fire, power, tourism, mining, exploration, military, science, media, disaster relief, medical assistance, environmental protection, home energy storage and widespread lack of electricity in the area. Very good solution to the outdoor electricity problem, convenient people's work and life!



The product includes one AC inverter control board, one DC main control board, one battery protection board, one 1456WH battery pack, one DC input port, one DC PV input port, two USB-A output ports, one QC3.0 output port and one Type C Input/output outlets, 2 DC5521 outlets, 1 cigarette lighting outlet, 2-3 AC outlets.

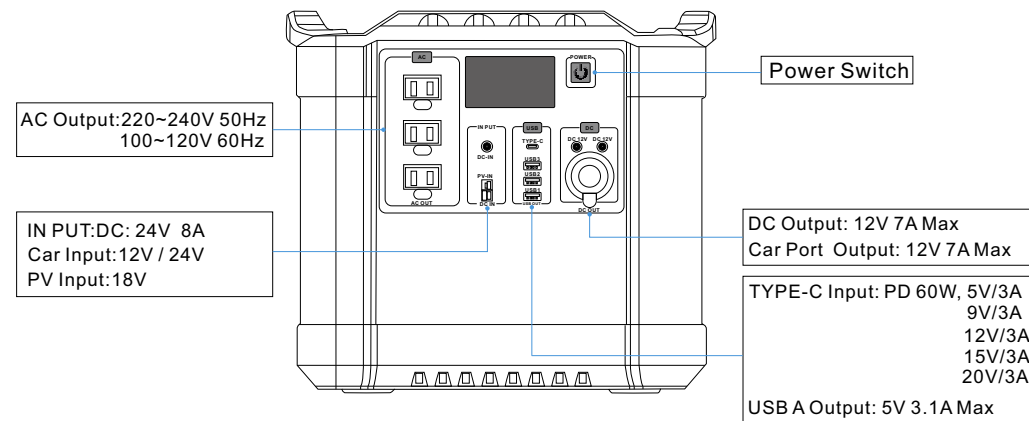


Technical Specifications-Outdoor Portable Energy Storage Battery

Model	YL-2000W
Rated Voltage	22.4V
Rated Capacity	65Ah
Rated Energy	1.456KWh
Battery type	7S1P LiFeP04
AC Output	220-240V 50Hz / 100-120V 60Hz
Solar Charging	18-30V / 50-200W
Car Charging	12V / 24V
Adapter Input	24V / 8A
USB Output	5V 3.1A Max
QC3.0	5V/3A 9V/2A 12V/1.5A
DC Output	12V / 7A Max
Car Output	12V / 7A
Type-c	PD 60W, 5V/3A 9V/3A 12V/3A 15V/3A 20V/3A
Dimensions(L*W*H)	320*230*330mm / 12.60"x9.06"x12.99"
Weight	20kg

Equipment Interface Instruction

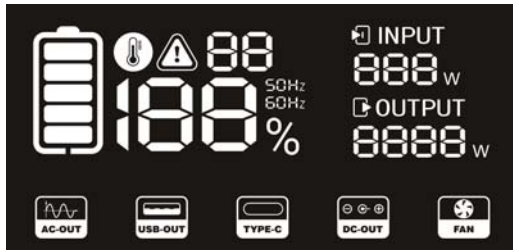
Power Switch: To turn ON/OFF the whole battery
BMS standby, power output ready.



Button function definition

Button name	Control method	Function description
POWER	Touch/Press	Touch and short press to wake up the display (display battery level), long press for 2S to turn off all outputs, long press for 20S to reset the system.
AC	Touch/Press	Touch and short press to wake up the display, long press for 2S to turn on/off the AC output, when the button is turned on, the AC indicator will light up.
DC	Touch/Press	Short press to turn on/off the DC output, when the key is turned on, the DC indicator will light up.
USB	Touch/Press	Short press to turn on/off the USB output, when the key is turned on, the USB indicator will light up.
Frequency switching	Touch/Press	When the AC is turned on, press the AC button for 5 consecutive times within 3S Switching frequency.

System shows



Display contents include SOC status bar, battery percentage, high and low temperature icon, fault code, 50/60HZ, triangle warning icon, INPUT, OUTPUT, AC OUT, USB-OUT, TYPE-C, DC-OUT, FAN

1.1 Operation display

Click the POWER button, the display will light up, and the screen will turn off after 10S.

When the icon is on, it means that the AC inverter is on and the output voltage USB-OUT is on.

When the icon is on, it means that the USB-OUT output is on.

The type-c icon lights up to indicate that type-c turns on the output.

The DC-OUT icon lights up to indicate that the DC/cigarette lighter socket is on output.

The FAN icon lights up to indicate that the fan is on.




Warning icon on On behalf of the fault alarm and the fault code is displayed

When the product recognizes that there is a charging input, the battery icon will flash to indicate that the battery bar is not fully charged, and the fully charged battery bar will be fixed. The product supports DC/Anderson (choose one) and TYP E-C ports for simultaneous charging

1.2 Power display

When the charging state is recognized, the corresponding number of cells flashes when charging; in the discharging state or the static state, the battery cell corresponds to the SOC percentage with rounding to the nearest unit.

1.3 Fault display

Faulty Module	Error Code	Fault Description
 <p>The fault light is always on, and the fault code is displayed at the same time.</p>	1	When USB overcurrent or short circuit protected
	2	When QC3.0 overcurrent or short circuit protection
	3	When DC output is over-current or short-circuit protected
	4	When the AC output is short-circuit protected
	5	When AC output overload protection
	6	When AC inverter temperature > 85°C
	7	When the internal temperature of the battery is greater than 63°C during discharge
	8	When the internal temperature of the battery is < -10°C during discharge
	9	When the internal temperature of the battery is greater than 50°C during charging
	10	When the internal temperature of the battery is < -5°C when charging
	11	When the input voltage is greater than 30V during charging
	12	When the rechargeable battery voltage is overcharged
	13	When battery voltage < 16.8V

Matters Need Attention

- Do not immerse the battery in water or allow it to get wet.
- Do not use or store the battery near sources of heat such as a fire or heater.
- Do not reverse the positive(+) and negative(-) terminals.
- Do not connect the battery directly to wall outlets or car cigarette-lighter sockets.
- Do not put the battery into a fire or apply direct heat to it.
- Do not short-circuit the battery by connecting wires or other metal objects to the positive(+) and negative(-) terminals.
- Do not pierce the battery casing with a nail or other sharp object, break it open with a hammer, or step on it.
- Do not strike, throw or subject the battery to sever physical shock.
- Do not directly solder the battery terminals.
- Do not attempt to disassemble or modify the battery in any way.
- Do not place the battery in a microwave oven or pressurized container.
- Do not use the battery in combination with primary batteries (such as dry-cell batteries) or batteries of different capacity, type or brand
- Do not use the battery if it gives off an odor, generates heat, becomes discolored or deformed, or appears abnormal in any way. If the battery is in use or being recharged, remove it from the device or charger immediately and discontinue use.
- If the battery leaks and electrolyte gets in your eyes, do not rub them. Instead, rinse them with clean running water and immediately seek medical attention. If left as is, electrolyte can cause eye injury.

