



Energy Storage
Smart Household Energy Storage

**All-in-one
Stackable ESS (EU)**

PRODUCT FEATURES

- LiFePO4 battery module, Single module is 51.2V 200Ah.
- 1 to 2 layers recommended.
- Cobalt Free Lithium Iron Phosphate (LFP) Battery: Maximum Safety, Life Cycle and Power.
- Applicable on grid or hybrid on and off-Grid solar energy storage system.
- Self-Consumption Optimization for Residential and Commercial Applications.
- Modular Design Simplifies Transport and Installation.

APPLICATION SCENARIO



Villa



Communication
base station



Nomadic area



Farm



Household



Field power
supply

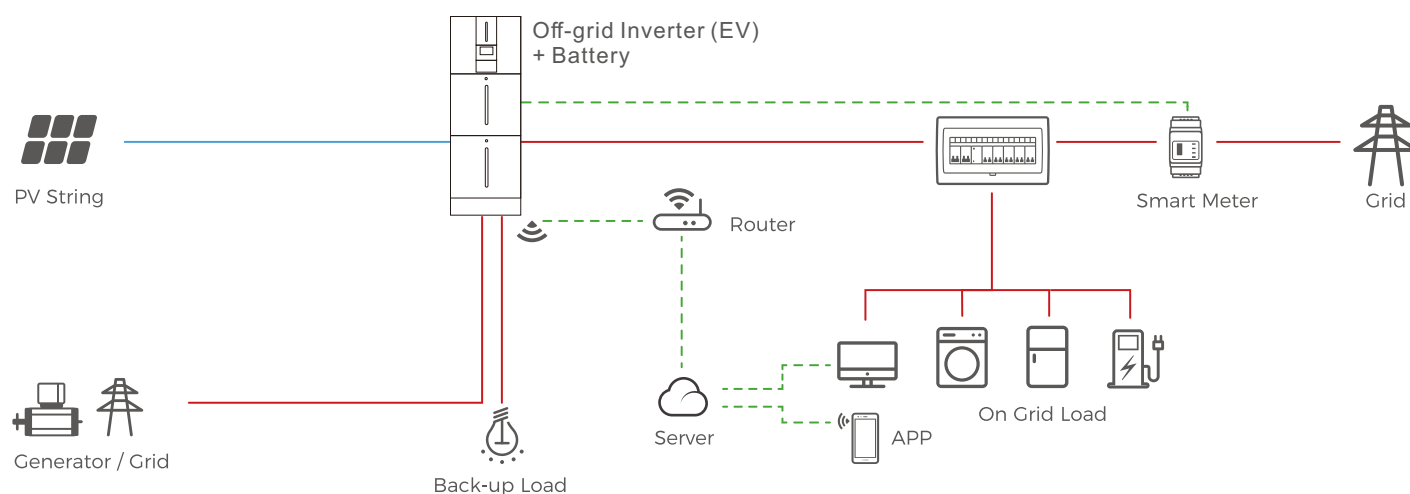


Technical Specifications-All-in-one Stackable ESS (EU)

Model	YL-ESSD-10K-200L1B-EU	YL-ESSD-20K-400L2B-EU
Maximum PV Input Power	6000W	
Rated Output Power	5500W	
Maximum Charging Power	2800W	
PV INPUT (DC)/ (It's applicable to Grid-tie & Hybrid & Off-Grid)		
Nominal DC Voltage / Maximum DC Voltage	360 VDC / 500 VDC	
Start-Up Voltage / Initial Feeding Voltage	116 VDC / 150 VDC	
MPP Voltage Range	120 VDC~450 VDC	
Working voltage range	100 VDC~500 VDC	
Max. PV Charging current	100Amp	
Number of MPP Trackers / Maximum Input Current	2/2 x13A	
GRID OUTPUT (AC) / (It's applicable to Grid-tie & Hybrid)		
Nominal Output Voltage /Nominal output frequency	208 / 220 / 230 / 240 VAC (50/60Hz)	
Max feeding power	5500W	
Output Voltage Range	184-264.5 VAC*	
Output voltage comeback value	194/252.2Vac (±3%)	
Maximum Output Current	23.9 A*	
Maximum Conversion Efficiency (DC / AC)	96%	
European Efficiency @ Vnominal	95%	
AC INPUT/ (It's applicable to Hybrid & Off-Grid)		
AC Start-Up Voltage / Auto Restart Voltage	120-140VAC / 180VAC	
Acceptable Input Voltage Range	170-280 VAC	
Maximum AC Input Current	40A	
BATTERY MODE OUTPUT (AC) / (It's applicable to Hybrid & Off-Grid)		
Nominal output power	4800W	
Nominal Output Voltage / Nominal output frequency	208 / 220 / 230 / 240 VAC (50/60Hz)	
Efficiency (DC / AC)	93%	
BATTERY TECHNICAL SPECIFICATIONS / (It's applicable to Hybrid & Off-Grid)		
Nominal DC Voltage	51.2 VDC	
Battery Capacity	200Ah	400Ah
Maximum Charging Current	100A	200A
Dimension(D*W*H)mm	214*621*500mm (Cell)	
Net Weight(Kg)	103	206
Energy	10.24KWh	20.48KWh
Nominal Voltage	51.2 VDC	
Full Charge Voltage(FC)	56V	
Full Discharge Voltage(FD)	45V	
Maximum Discharging Current	120 A at 1 min	240 A at 1 min
Protection	BMS, Breaker	
Standard Charge Method	0.2 C CC (Constant current) charge to FC, CV (Constant voltage FC) charge till charge current decline to < 0.05 C	
Inner Resistance	< 20 m Ohm	

*These figures may vary depending on different AC voltage and contry regulation.Product specifications are subject to change without further notice. Technical Specifications 12

SCHEMATIC DIAGRAM OF SOLUTION



MATTERS NEED ATTENTION

- Do not immerse the battery in water or allow it to get wet.
- Do not use or store the battery near sources of heat such as a fire or heater.
- Do not reverse the positive(+) and negative(-) terminals.
- Do not connect the battery directly to wall outlets or car cigarette-lighter sockets.
- Do not put the battery into a fire or apply direct heat to it.
- Do not short-circuit the battery by connecting wires or other metal objects to the positive(+) and negative(-) terminals.
- Do not pierce the battery casing with a nail or other sharp object, break it open with a hammer, or step on it.
- Do not strike, throw or subject the battery to sever physical shock.
- Do not directly solder the battery terminals.
- Do not attempt to disassemble or modify the battery in any way.
- Do not place the battery in a microwave oven or pressurized container.
- Do not use the battery in combination with primary batteries(such as dry-cell batteries) or batteries of different capacity, type or brand
- Do not use the battery if it gives off an odor, generates heat, becomes discolored or deformed, or appears abnormal in any way. If the battery is in use or being recharged, remove it from the device or charger immediately and discontinue use.
- If the battery leaks and electrolyte gets in your eyes, do not rub them. Instead, rinse them with clean running water and immediately seek medical attention. If left as is, electrolyte can cause eye injury.

